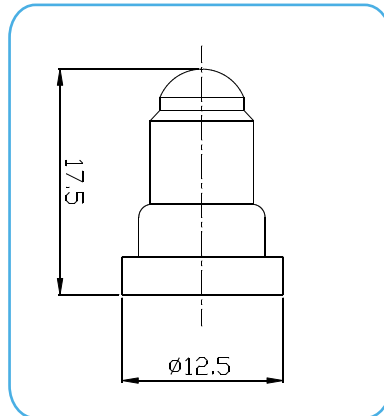
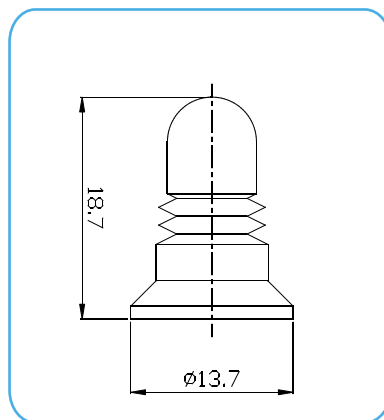


MVPAK DIAPHRAGMS

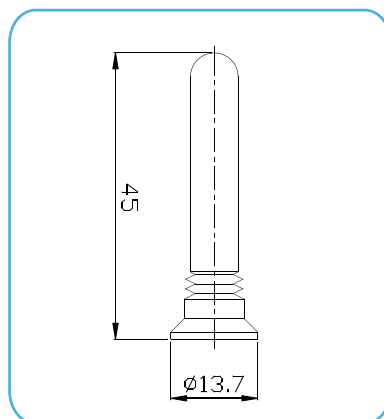
for VPK Aseptic Sampling Valves



code
MVPAK-X
SILICONE
DIAPHRAGM



code
MVPAK-T
MODIFIED PTFE
DIAPHRAGM



code
MVPAK-T-INGOLD
MODIFIED PTFE
DIAPHRAGM
FOR INGOLD VALVE

CERTIFICATES:

- FDA
- USP Class VI
- Animal derived ingredient free
- BSE/TSE free
- Other on request

**The diaphragm's materials are not interchangeable.
Contact us for switching from a material to another.**

Last updates can be found on our website - www.aerreinox.it
In the interests of development of the product, we reserve the right to change the specifications without prior notice